

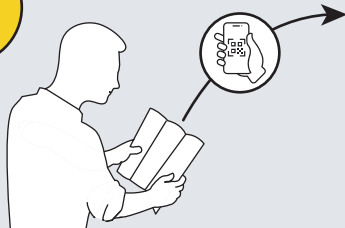
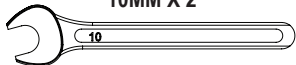
IN8260

ULTI Bars - X4

FX4010 X2 (M6)	FX4013 X8 (M6X20)	FX4014 X8 (RUBBER)	FX4015 X8 (M6X30)	FX4016 X22 (M6)	FX4037 X6 (M6X25)	FX4042 X16 (M6X16)	MA6018 X8	MA6065 X8	ME0203 X8
ME0779 X1	ME0780 X1	ME0781 X1	ME0782 X1	ME0784 X1	ME0785 X1	ME1083 X1	ME1084 X1	AS3149 X1	AS3150 X1

TOOLS REQUIRED

10MM X 2

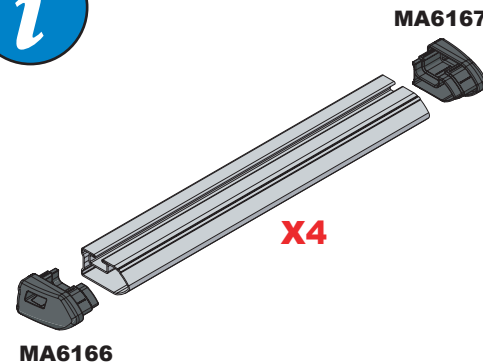


EN - SAFETY AND PRODUCT INFORMATION
 DE - SICHERHEITS- UND PRODUKTINFORMATIONEN
 FR - INFORMATIONS DE SÉCURITÉ ET DU PRODUIT
 NL - VEILIGHEIDS- EN PRODUCTINFORMATIE
 ES - INFORMACIÓN DE SEGURIDAD Y DEL PRODUCTO
 IT - INFORMAZIONI SULLA SICUREZZA E SUL PRODOTTO

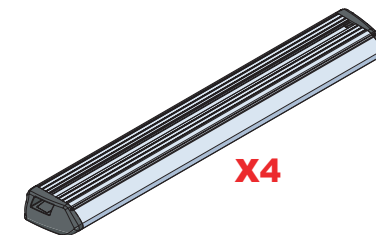
SV - SÄKERHETS- OCH PRODUKTINFORMATION
 DA - SIKKERHEDS- OG PRODUKTINFORMATION
 NO - SIKKERHETS- OG PRODUKTINFORMASJON
 PL - INFORMACJE O BEZPIECZENSTWIE I PRODUKCJE
 CS - INFORMACE O BEZPEČNOSTI A PRODUKTU



Customercare@van-guard.co.uk
UK +44 (0) 1392 368 351



ULTI Bar Trade
(Steel)



ULTI Bar+
(Aluminium)

This FITTING INSTRUCTION is the property of VAN GUARD ACCESSORIES LTD. and must not be used for manufacturing purposes, copied nor communicated in any way to third parties without written permission from VAN GUARD ACCESSORIES LTD.

IN8260_D (CN:00183)

Van Guard Accessories Ltd
 Fair Oak Close, Exeter Airport Business Park,
 Exeter, Devon, EX5 2UL
www.van-guard.co.uk

309-4SWB

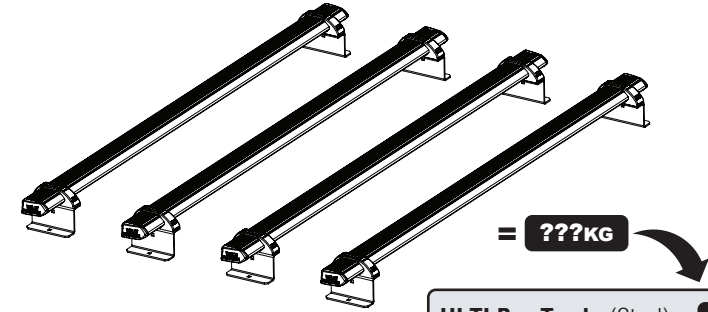
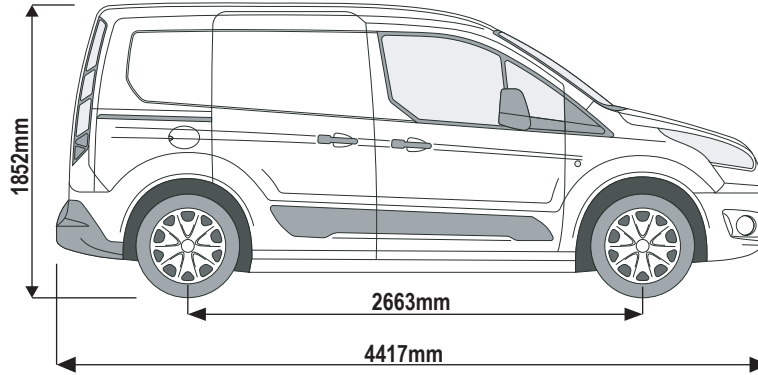
Vehicle:

Ford Transit Connect: 2014 on

Wheel Base: SWB (L1)

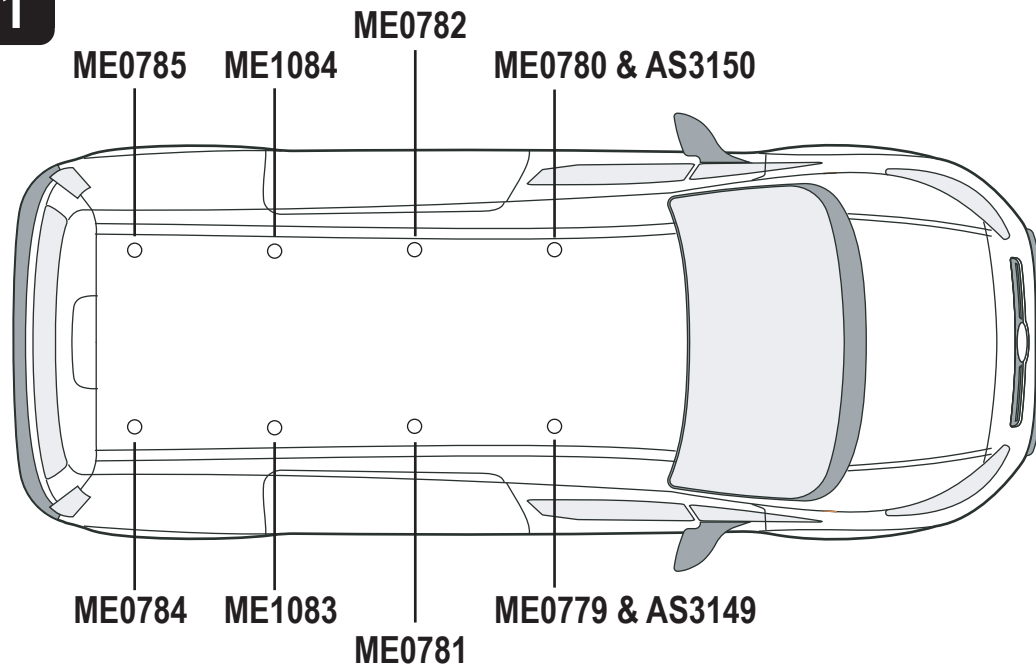
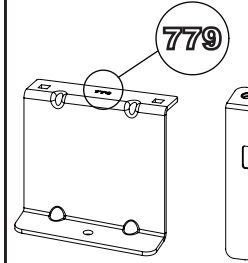
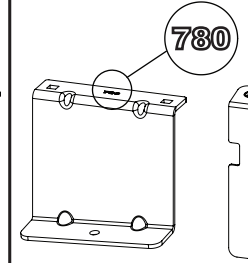
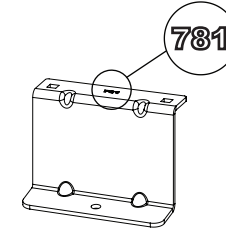
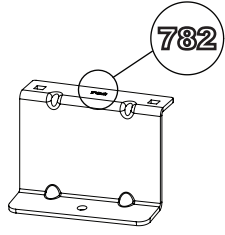
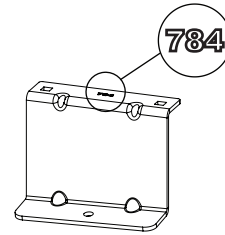
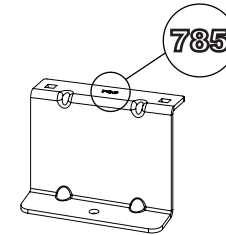
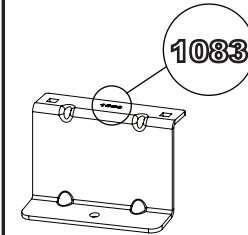
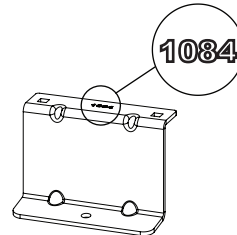
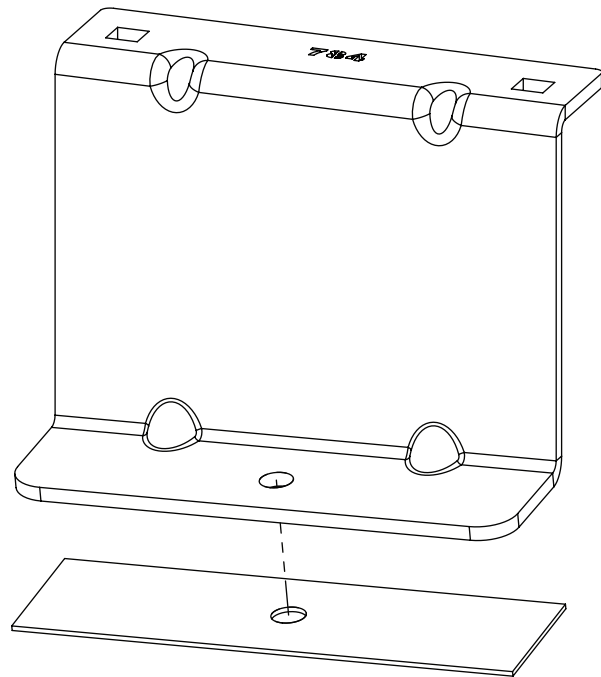
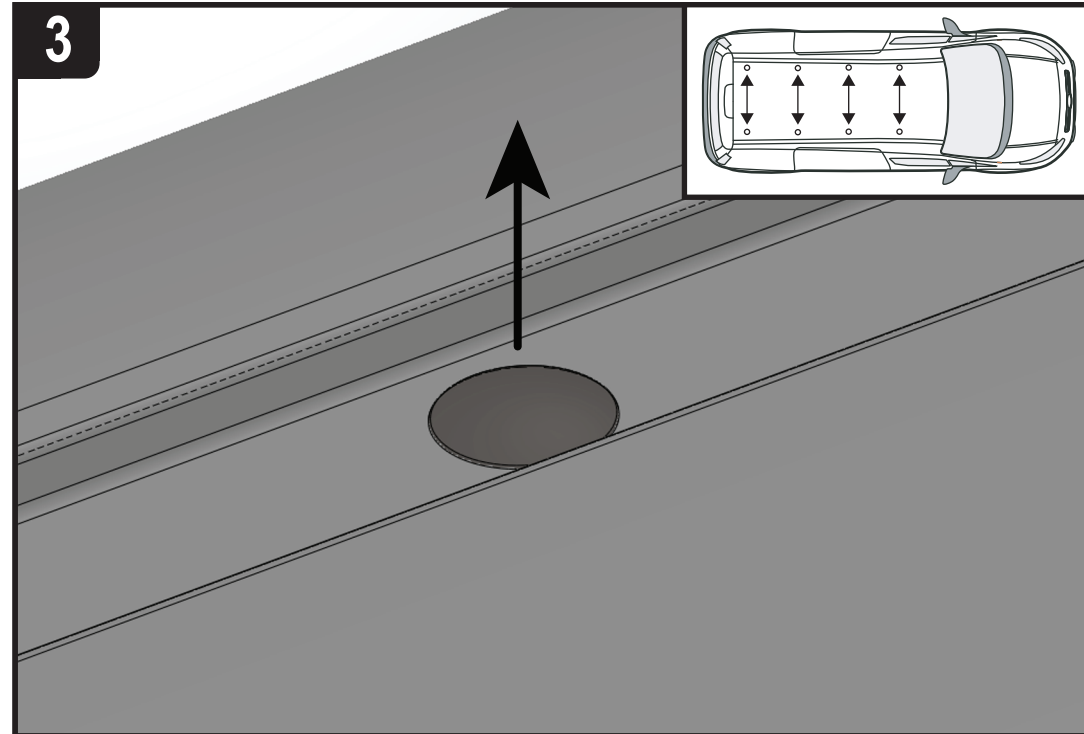
Roof Height: Standard (H1)

Rear Doors: Twin / Tailgate

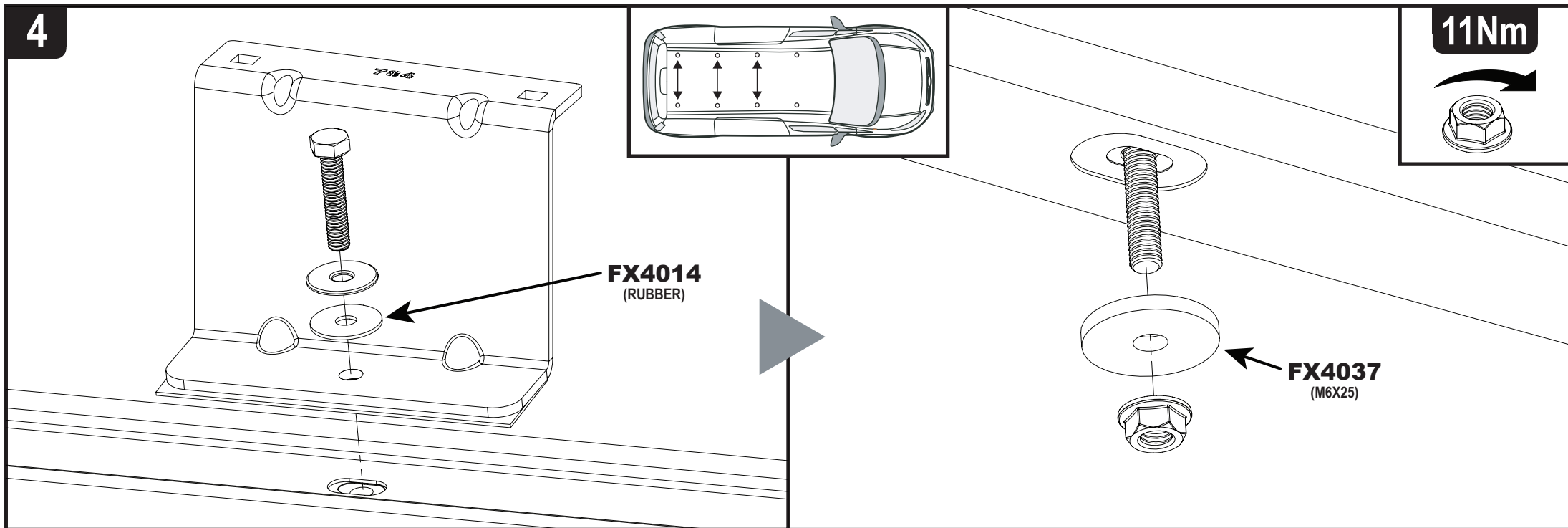


ULTI Bar Trade (Steel) = 15KG

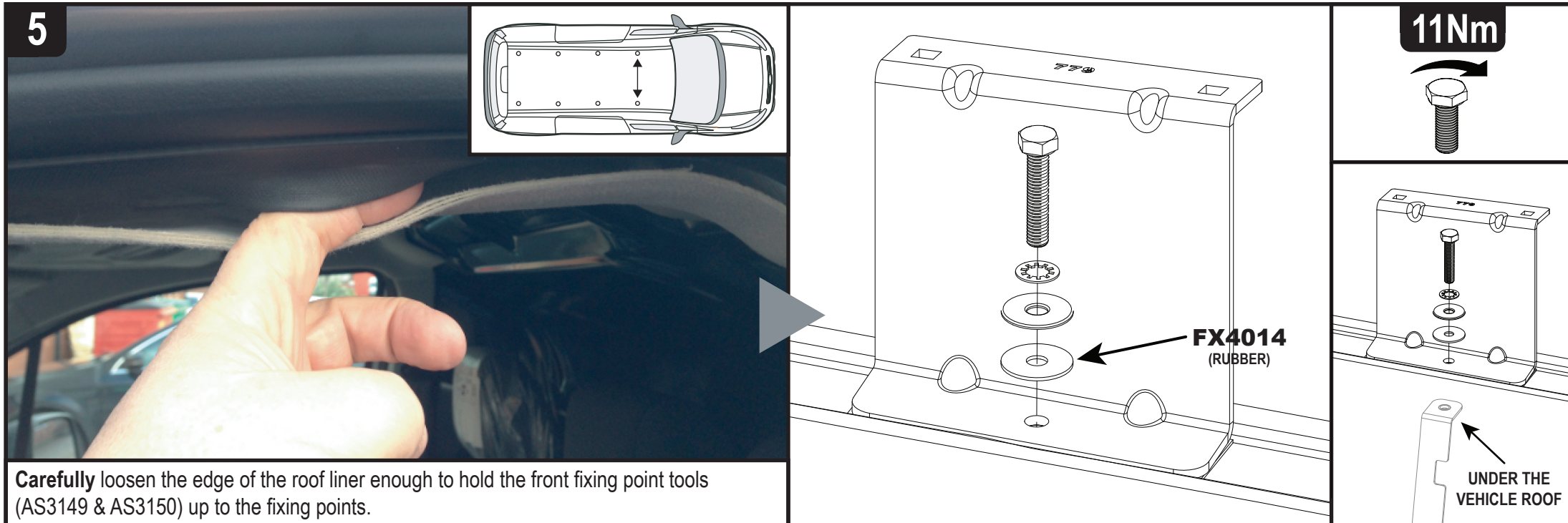
ULTI Bar+ (Aluminium) = 9.8KG

1**ME0779 & AS3149****ME0780 & AS3150****ME0781****ME0782****ME0784****ME0785****ME1083****ME1084****2****3**

4

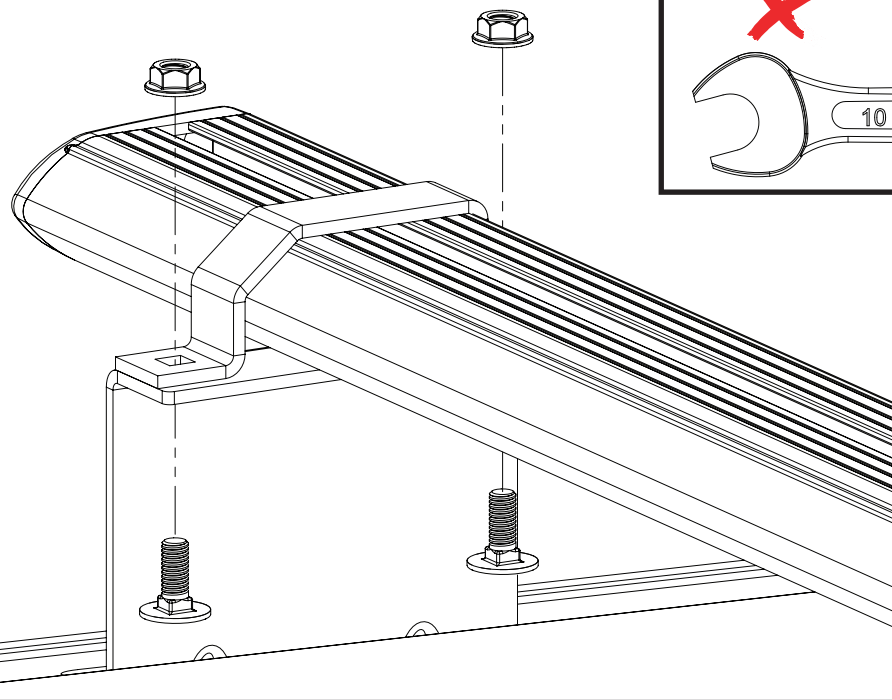


5

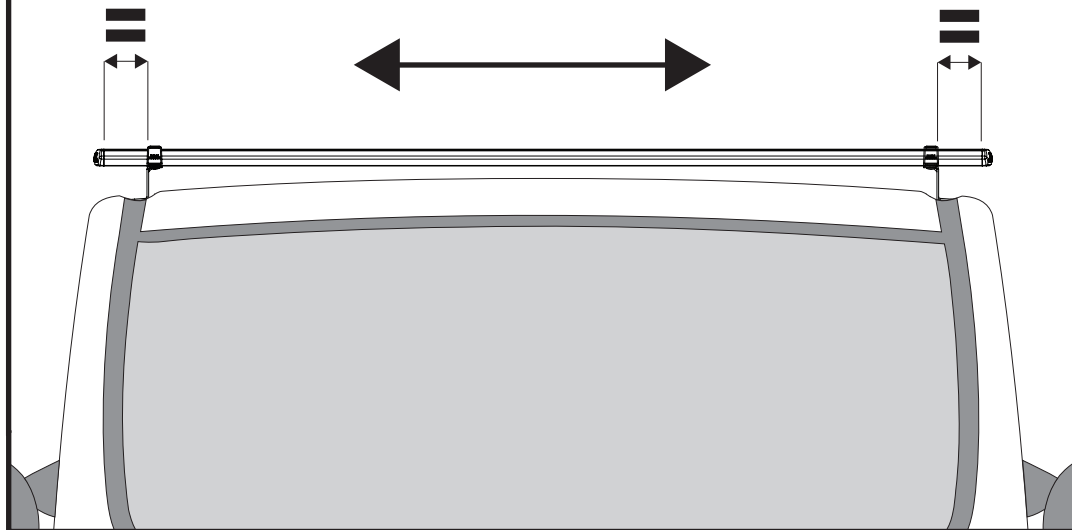


Carefully loosen the edge of the roof liner enough to hold the front fixing point tools (AS3149 & AS3150) up to the fixing points.

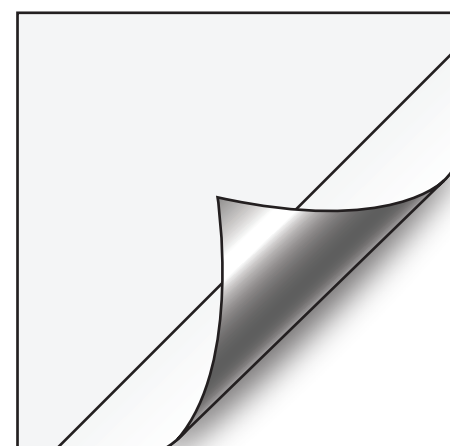
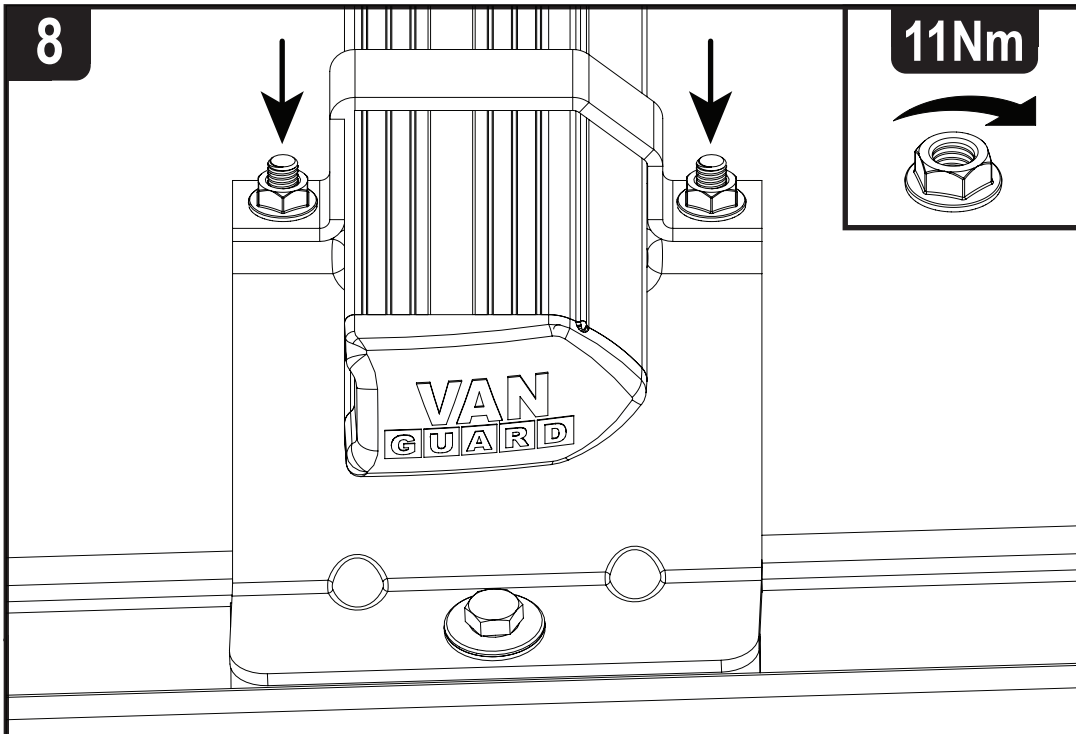
6

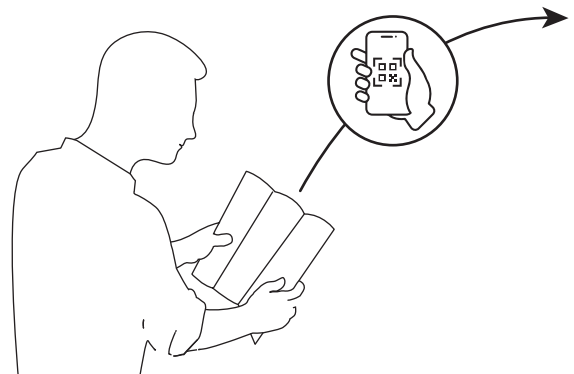
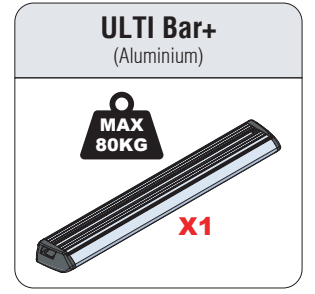
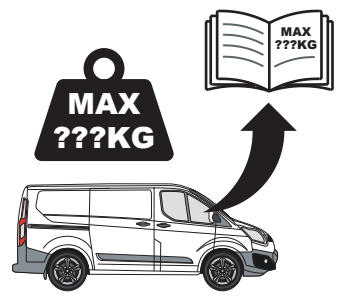
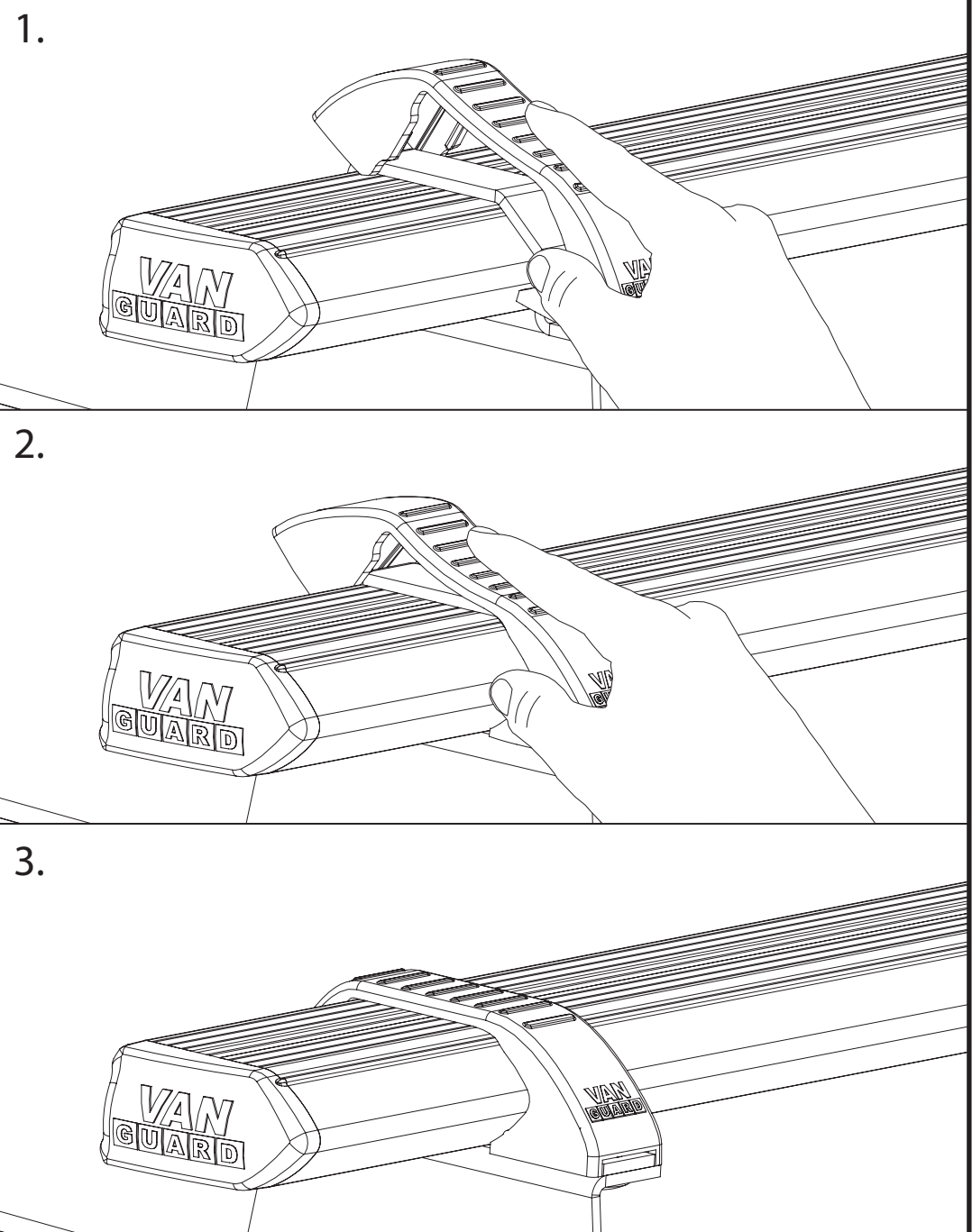


7



8





EN - SAFETY AND PRODUCT INFORMATION
DE - SICHERHEITS- UND PRODUKTINFORMATIONEN
FR - INFORMATIONS DE SÉCURITÉ ET DU PRODUIT
NL - VEILIGHEIDS- EN PRODUCTINFORMATIE
ES - INFORMACIÓN DE SEGURIDAD Y DEL PRODUCTO
IT - INFORMAZIONI SULLA SICUREZZA E SUL PRODOTTO

SV - SÄKERHETS- OCH PRODUKTINFORMATION
DA - SIKKERHEDS- OG PRODUKTINFORMATION
NO - SIKKERHETS- OG PRODUKTINFORMASJON
PL - INFORMACJE O BEZPIECZENSTWIE I PRODUKCJE
CS - INFORMACE O BEZPEČNOSTI A PRODUKTU